

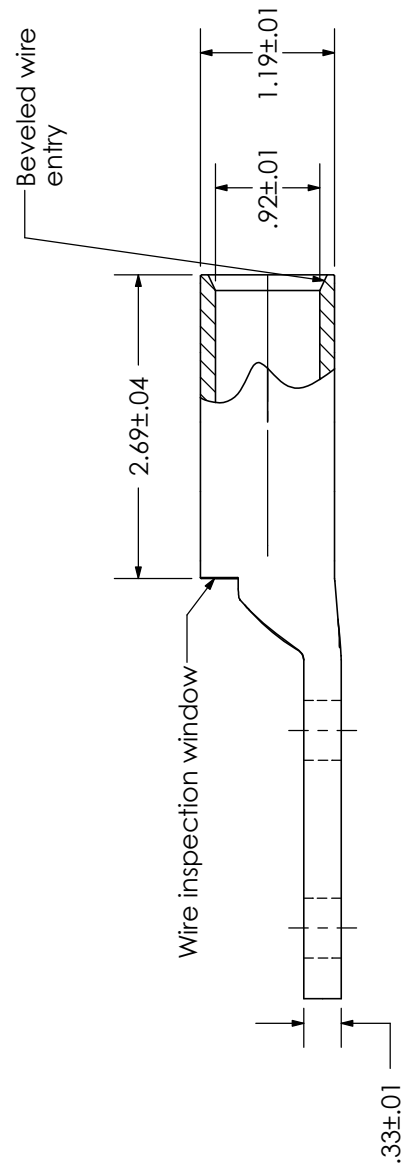
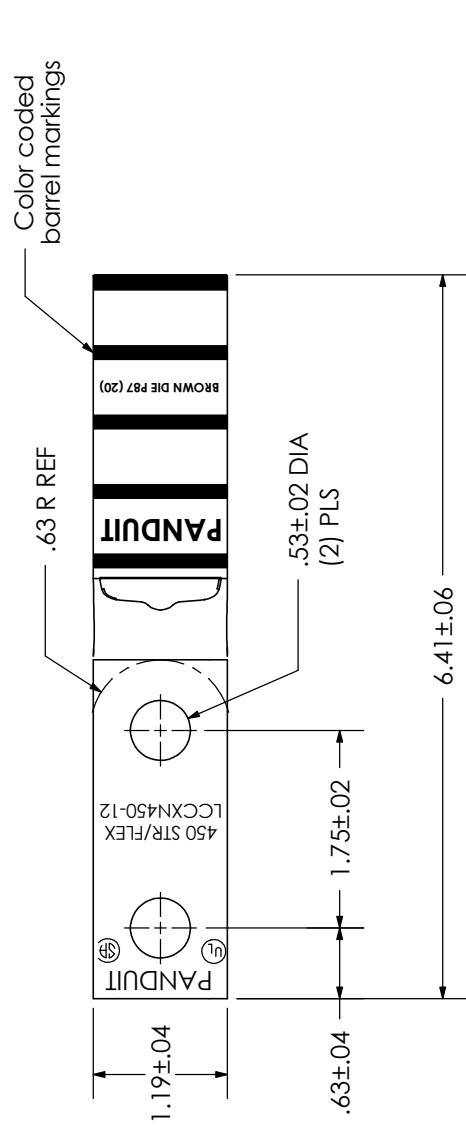
THIS COPY IS PROVIDED ON A RESTRICTED BASIS AND IS NOT TO BE USED IN ANY WAY DETRIMENTAL TO THE INTERESTS OF PANDUIT CORP.

Material	High Conductivity Seamless Copper Tube
Plating	Electro-Tin
Wire Size	450 STR/FLEX
Wire Type	Stranded Copper: Class G, H, I, K, M, Locomotive
Wire Strip Length	2-3/4 in.
Stud Size	1/2 in.
UL Listed Wire Connector	Yes, for applications up to 35kv. Consult cable manufacturer for voltage stress relief instructions with applications greater than 2000 volts.
UL Temperature Rating	90 ° C
C.S.A Certified Wire Connector	Yes
Panduit Color Code on Barrel	BROWN
Panduit Die Index No. on Barrel	P87
Alternate Industry Die Index No. ( ) on Barrel	(20)

Dimensions are in inches



CERTIFIED LISTED Wire Connector



		LCCXN450-12-6		
		Copper Lug - Two-Hole, Narrow Tongue, Long Flex Barrel with Window		
REV	DATE	BY	CHK	DESCRIPTION
02	5/10	JHNU	JHNU	REMOVED WARRANTY & CUSTOMER SIGNATURE NOTE
SCALE		N/A		ECN
DRAWING NO / CAD FILE		LCCXN450-12-CUST		